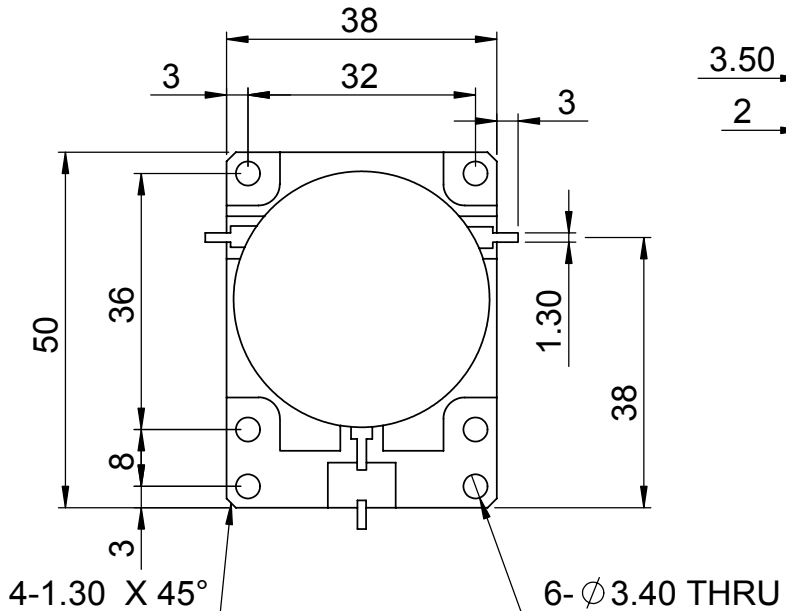
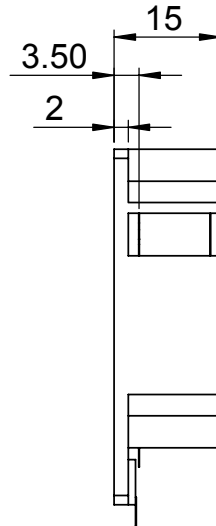
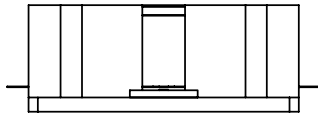
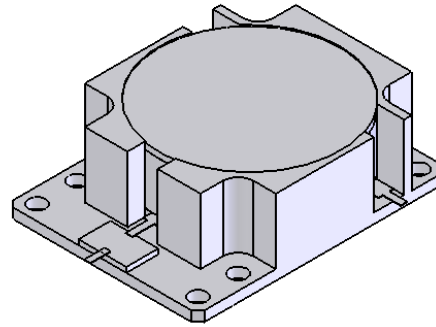


Stock Number

| REV. | DESCRIPTION | REVISOR | DATE | APPROVE |
|------|-------------|---------|----------|---------|
| 0 | | MH | 02.23.09 | CH |

SPECIFICATION

Part's Number: JID0380T0420KM6A2
 Frequency: 0.380~0.420 GHz
 Direction: CW
 Insertion Loss: 0.3dB MAX.
 Isolation: 20dB MIN.
 RL: 20dB MIN.
 Power FWD/REV: 100W/60W
 Temperature: -30 °C~+75 °C
 IMD: -70dBc@2x10W
 SPACING 5MHz
 Attenuation: 100W 20dB



This document is the property of JQL Electronic Inc.
 It cannot be copied, duplicated, used for manufacturing purposes
 or communicated to third party as a whole or partly,
 without the written consent of JQL Electronic Inc.

| | | | | | |
|--------------------------------------|--|---|--|---|--|
| JQL JQL Electronic Inc | | 500 Lake Cook Road, Suite 350 Deerfield, IL 60015, USA | | Tel : 1(888)236-9828 Fax: 1(630)823-2902 | |
| MATERIAL: Stainless Steel | | DWG NO. JID0380T0420KM6A2 | | | |
| SURFACE TREATMENT: Nickel Plating | | NAME MH | | DATE 02.23.09 | |
| DESCRIPTION: DROPP-IN W ATTN | | CHK'D BY: FW | | 02.23.09 | |
| | | APPVD BY: CH | | 02.23.09 | |
| Unit: mm | | TOLERANCE: Liner: ±0.1mm Angular: ±0.5° | | Type Of Projection | |
| WEIGHT: | | SCALE: 1:1 | | A4 | |
| | | | | SHEET 1 OF 1 | |